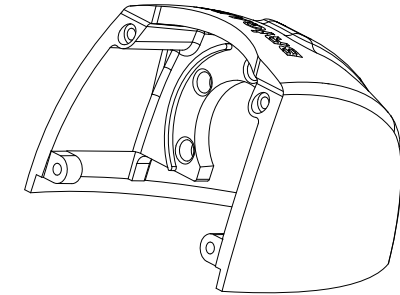
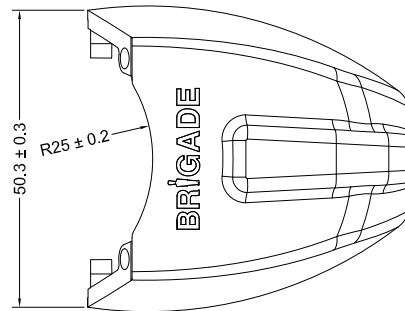
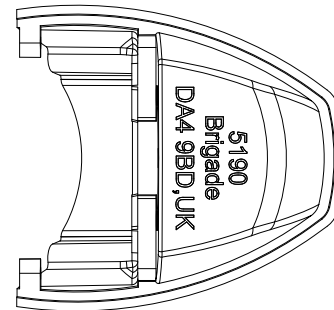
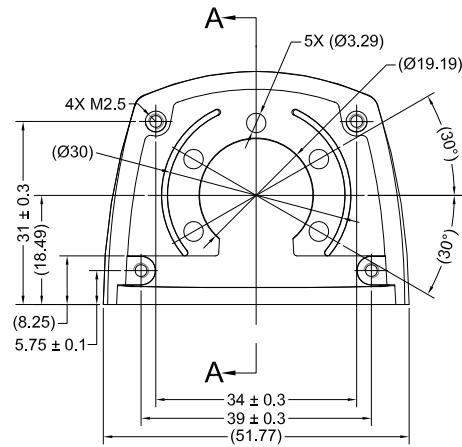
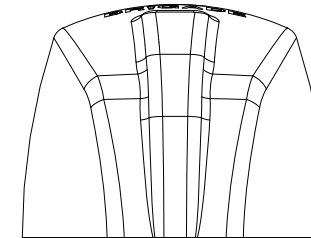
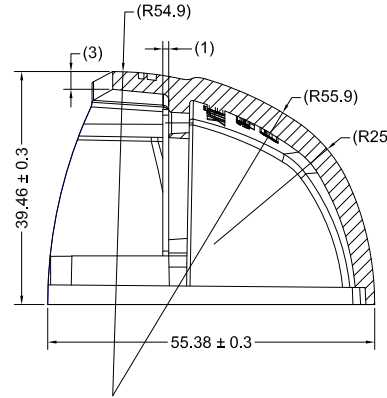


Revision Notes.				
R1 -				
APA: -	Drawn:-	Checked:-	Approved:-	Date: -



SECTION A-A



NOTES:

1. COLOUR BLACK.
2. MATERIAL: ALUMINUM GRADE ADC12.
3. SURFACE TREATMENT: POWDER COATING, MATT SURFACE.
4. NO BURS, NO STRAINS & NO SHARP CORNERS ON ANY FACE.
5. REFER TO ASSEMBLY PLANT DRAWING SV01410 REV 1.0 FOR DETAILED DIMENSIONS.
6. PART CANNOT BE DEFORMED AND WARPED
7. INCLUDES SILICONE RUBBER SPACER (ASSEMBLY REF. 32040007300 WITH HARDNESS 60 ± 3HA).
8. ALL DIMENSIONS ARE BEFORE SURFACE TREATMENT APPLIED.

PROPRIETARY NOTICE

THIS DESIGN AND TECHNICAL INFORMATION APPEARING ON THIS DRAWING IS THE PROPERTY OF BRIGADE ELECTRONICS, AND IS DISCLOSED IN CONFIDENCE. IT IS NOT TO BE COPIED, REPRODUCED, REVEALED TO OR EXPROPRIATED BY OTHERS, EITHER IN WHOLE OR IN PART WITHOUT THE EXPRESS WRITTEN CONSENT OF BRIGADE ELECTRONICS.

Assembly Pl Approval SHILONG SONG (08/12/16)	Approved by B. JOHN	Checked by R.PENTLEY	Drawn by M.BUTLER
Angle of Projection 	Units mm	Scale N/A	Released 08/12/16
	Status RELEASED	VBV-3XXC-RH	
	Part No 5190	BE-003459-00-16	

BRIGADE[®]
www.brigade-electronics.com